

## Body Substructure

- Patented inverted A-frame design with torsion plate
- 10-gauge galvanized steel
- Integral crane box
- Front and rear stabilizer housings

## Body Materials

- Sidepacks constructed of 10-gauge and 12-gauge galvanized steel
- Deck plate is 1/8" (0.32 cm) steel
- Workbench is constructed of both galvanized and cold-rolled steel

## Electrical System

- Multiplex electrical system with programmable logic for increased reliability
- Central power distribution point
- Automotive-style harnesses protected by overbraid
- White wire has circuit function printed every 3" (7.6 cm)

## Doors

- Constructed of 14-gauge galvanized steel
- Internal formed eaves and hemmed edges
- 3-point latches with locking rotary T-handle
- Stainless steel hinges with composite washers

## Tailgate

- 10" (25.4 cm)
- Single-hand operation
- 90° (1.6 rad) positive stop

## Stabilizer Weights

- Left front drop down 24 lb (10.9 kg)
- Right front manual out / drop down 71 lb (32.2 kg)
- Left front manual out / drop down 71 lb (32.2 kg)
- Rear manual out / manual down 289 lb (131.1 kg)
- Rear manual out / power down 376 lb (170.5 kg)
- Rear power out / power down 400 lb (181.4 kg)



### Nothing Says Commitment Like The Diamond.™

IMT has been meeting the needs of our customers for over 50 years and none of it would have been possible without a distributor network that's second to none. IMT distributors offer fast, knowledgeable service and the ability to help customers find the right product for every application. When you're looking for reliable equipment and dependable service, remember IMT.



An Oshkosh Corporation Company

**Iowa Mold Tooling Co., Inc.**  
500 Highway 18 West  
Garner, Iowa 50438  
800-247-5958 • [www.imt.com](http://www.imt.com)

IMT reserves the right to make changes in engineering, design, and specifications; add improvements; or discontinue manufacturing at any time without notice or obligation. IMT, the IMT logo, Dominator and NOTHING SAYS COMMITMENT LIKE THE DIAMOND are registered trademarks or trademarks of Iowa Mold Tooling Co., Inc., Garner, IA, USA.

© 2013 Iowa Mold Tooling Co., Inc. All Rights Reserved.

# Dominator<sup>®</sup> II

Mechanics Body



## ► Dominator II Mechanics Body

With enhanced strength and stability for higher crane loads, numerous configuration possibilities, and a body rating of 75,000 ft-lb (10.4 tm), the Dominator II mechanics truck offers exceptional performance in virtually any industry. With the Dominator II mechanics truck, you don't have to bring your equipment into the shop for service, because the shop comes to you.



### Standard Features

- Body rating — 75,000 ft-lb (10.4 tm)
- Enhanced strength and stability for higher crane loads
- Multiplex electrical system with programmable logic
- 25" (63.5 cm) deep workbench with 3" (7.6 cm) clamp edge and 7.7 cu ft (0.21 m<sup>3</sup>) of storage

### Options

- High-intensity light package
- Drawers and drawer sets
- Standard adjustable shelves
- 3"H (7.6 cm) divided adjustable shelves
- Stabilizers — manual and hydraulic
- Patent-pending energy-absorbing boom support
- Workbench vises and vise plates
- Incandescent work lights and compartment lights
- Compartment pressurization system
- Air systems

### Compatible Cranes

2003i	4004i	6006i	2020	7500	9500
3203i	5005i	1015	2820	8600	10000



**Multiplex Electrical System**  
Programmable logic allows for increased electrical control capabilities while reducing the amount of wire used.



**Energy Absorbing Boom Support**  
Patent-pending support dissipates energy created from the crane boom, relieving pressure that would be transmitted to the sidepack top.



**High-Intensity Lighting (optional)**  
LED light bars provide superior light penetration for enhanced visibility in the compartments.

### Base Body Specifications

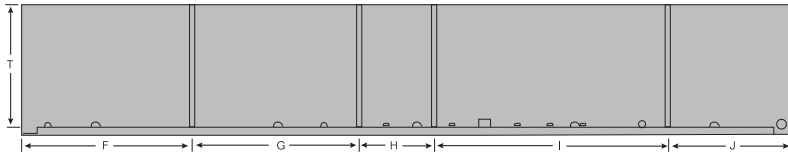
Base Body	Body Weight	Storage Capacity	Angle of Departure	Chassis CA w/o Welder Deck	Chassis CA w/ Welder Deck
11' Standard	3722 lb (1688.2 kg)	133.5 cu ft (3.8 m <sup>3</sup> )	13° (0.2 rad)	84" (213.4 cm)	108" – 120" (274.3 – 304.8 cm)
11' RF Raised	3789 lb (1718.6 kg)	138.7 cu ft (3.9 m <sup>3</sup> )	13° (0.2 rad)	84" (213.4 cm)	108" – 120" (274.3 – 304.8 cm)
11' RF & LF Raised	3845 lb (1744.1 kg)	143.8 cu ft (4.1 m <sup>3</sup> )	13° (0.2 rad)	84" (213.4 cm)	108" – 120" (274.3 – 304.8 cm)
11' RF & LH Raised	3883 lb (1761.3 kg)	151.7 cu ft (4.3 m <sup>3</sup> )	13° (0.2 rad)	84" (213.4 cm)	108" – 120" (274.3 – 304.8 cm)
11' All Raised	3897 lb (1767.3 kg)	156.8 cu ft (4.4 m <sup>3</sup> )	13° (0.2 rad)	84" (213.4 cm)	108" – 120" (274.3 – 304.8 cm)
13' RF Raised	4205 lb (1907.3 kg)	170.9 cu ft (4.8 m <sup>3</sup> )	13° (0.2 rad)	108" (274.3 cm)	132" – 144" (335.3 – 365.8 cm)
14' RF & LF Raised	4439 lb (2013.5 kg)	195.2 cu ft (5.5 m <sup>3</sup> )	13° (0.2 rad)	120" (304.8 cm)	144" – 156" (365.8 – 396.2 cm)
14' RF & LH Raised	4502 lb (2042.1 kg)	204.7 cu ft (5.8 m <sup>3</sup> )	13° (0.2 rad)	120" (304.8 cm)	144" – 156" (365.8 – 396.2 cm)
14' All Raised	4553 lb (2065.2 kg)	211.4 cu ft (6 m <sup>3</sup> )	13° (0.2 rad)	120" (304.8 cm)	144" – 156" (365.8 – 396.2 cm)

Notes:  
1. Body weight includes workbench.  
2. Storage capacity does not include workbench.

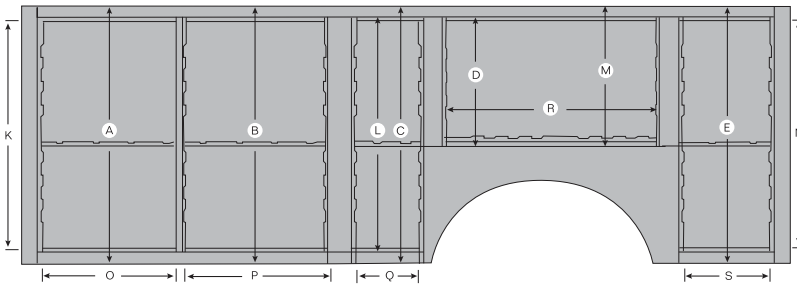
### Left Hand Sidepack

Base Body	Compartment Dimensions										Door Opening Dimensions								Usable Depth	
	A	B	C	D	E	F	G	H	I	J	K	L	M	N	O	P	Q	R		S
11' Standard	52" (132.1 cm)		52" (132.1 cm)	23.88" (60.7 cm)	52" (132.1 cm)	34.93" (88.7 cm)		15.88" (40.3 cm)	50.38" (127.9 cm)	26.75" (67.9 cm)	46.75" (118.7 cm)	46.75" (118.7 cm)	21.5" (54.6 cm)	46.75" (118.7 cm)	29.75" (75.6 cm)		14.25" (36.2 cm)	44.88" (114 cm)	18.38" (46.7 cm)	20.25" (51.4 cm)
11' RF Raised	52" (132.1 cm)		52" (132.1 cm)	23.88" (60.7 cm)	52" (132.1 cm)	34.93" (88.7 cm)		15.88" (40.3 cm)	50.38" (127.9 cm)	26.75" (67.9 cm)	46.75" (118.7 cm)	46.75" (118.7 cm)	21.5" (54.6 cm)	46.75" (118.7 cm)	29.75" (75.6 cm)		14.25" (36.2 cm)	44.88" (114 cm)	18.38" (46.7 cm)	20.25" (51.4 cm)
11' RF & LF Raised	60" (152.4 cm)		60" (152.4 cm)	23.88" (60.7 cm)	52" (132.1 cm)	34.93" (88.7 cm)		15.88" (40.3 cm)	50.38" (127.9 cm)	26.75" (67.9 cm)	54.75" (139.1 cm)	54.75" (139.1 cm)	21.5" (54.6 cm)	46.75" (118.7 cm)	29.75" (75.6 cm)		14.25" (36.2 cm)	44.88" (114 cm)	18.38" (46.7 cm)	20.25" (51.4 cm)
11' RF & LH Raised	60" (152.4 cm)		60" (152.4 cm)	31.88" (81 cm)	60" (152.4 cm)	34.93" (88.7 cm)		15.88" (40.3 cm)	50.38" (127.9 cm)	26.75" (67.9 cm)	54.75" (139.1 cm)	54.75" (139.1 cm)	29.5" (74.9 cm)	54.75" (139.1 cm)	29.75" (75.6 cm)		14.25" (36.2 cm)	44.88" (114 cm)	18.38" (46.7 cm)	20.25" (51.4 cm)
11' All Raised	60" (152.4 cm)		60" (152.4 cm)	31.88" (81 cm)	60" (152.4 cm)	34.93" (88.7 cm)		15.88" (40.3 cm)	50.38" (127.9 cm)	26.75" (67.9 cm)	54.75" (139.1 cm)	54.75" (139.1 cm)	29.5" (74.9 cm)	54.75" (139.1 cm)	29.75" (75.6 cm)		14.25" (36.2 cm)	44.88" (114 cm)	18.38" (46.7 cm)	20.25" (51.4 cm)
13' RF Raised	60" (152.4 cm)	52" (132.1 cm)	52" (132.1 cm)	31.88" (81 cm)	52" (132.1 cm)	34.93" (88.7 cm)	23.75" (60.3 cm)	15.88" (40.3 cm)	50.38" (127.9 cm)	26.75" (67.9 cm)	46.75" (118.7 cm)	46.75" (118.7 cm)	21.5" (54.6 cm)	46.75" (118.7 cm)	29.75" (75.6 cm)	18.38" (46.7 cm)	14.25" (36.2 cm)	44.88" (114 cm)	18.38" (46.7 cm)	20.25" (51.4 cm)
14 RF & LF Raised	60" (152.4 cm)	60" (152.4 cm)	52" (132.1 cm)	31.88" (81 cm)	52" (132.1 cm)	34.93" (88.7 cm)	35.75" (90.8 cm)	15.88" (40.3 cm)	50.38" (127.9 cm)	26.75" (67.9 cm)	54.75" (139.1 cm)	46.75" (118.7 cm)	21.5" (54.6 cm)	46.75" (118.7 cm)	29.75" (75.6 cm)	29.75" (75.6 cm)	14.25" (36.2 cm)	44.88" (114 cm)	18.38" (46.7 cm)	20.25" (51.4 cm)
14 RF & LH Raised	60" (152.4 cm)	60" (152.4 cm)	60" (152.4 cm)	31.88" (81 cm)	60" (152.4 cm)	34.93" (88.7 cm)	35.75" (90.8 cm)	15.88" (40.3 cm)	50.38" (127.9 cm)	26.75" (67.9 cm)	54.75" (139.1 cm)	46.75" (118.7 cm)	29.5" (74.9 cm)	54.75" (139.1 cm)	29.75" (75.6 cm)	29.75" (75.6 cm)	14.25" (36.2 cm)	44.88" (114 cm)	18.38" (46.7 cm)	20.25" (51.4 cm)

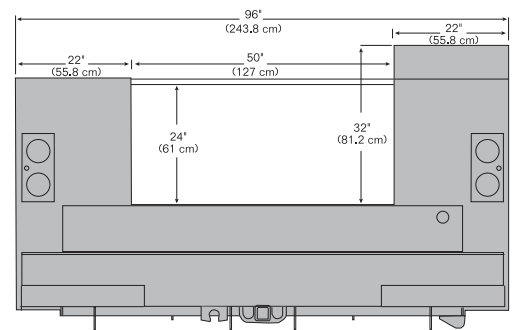
### Top View



### Side View



### Rear View



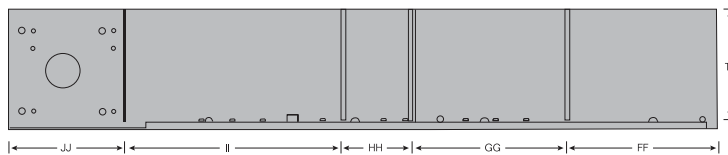
### Load Bed Height

24" (61 cm) with standard height compartments  
32" (81.3 cm) with raised compartments

### Right Hand Sidepack

Base Body	Compartment Dimensions										Door Opening Dimensions								Usable Depth	
	AA	BB	CC	DD	EE	FF	GG	HH	II	JJ	KK	LL	MM	NN	OO	PP	QQ	RR		SS
11' Standard	52" (132.1 cm)		52" (132.1 cm)	23.88" (60.7 cm)	52" (132.1 cm)	34.93" (88.7 cm)		15.88" (40.3 cm)	50.38" (127.9 cm)	26.75" (67.9 cm)	46.75" (118.7 cm)	46.75" (118.7 cm)	21.5" (54.6 cm)	50.38" (127.9 cm)	29.75" (75.6 cm)		14.25" (36.2 cm)	44.88" (114 cm)	18.38" (46.7 cm)	20.25" (51.4 cm)
11' RF Raised	60" (152.4 cm)		60" (152.4 cm)	23.88" (60.7 cm)	52" (132.1 cm)	34.93" (88.7 cm)		15.88" (40.3 cm)	50.38" (127.9 cm)	26.75" (67.9 cm)	54.75" (139.1 cm)	54.75" (139.1 cm)	21.5" (54.6 cm)	50.38" (127.9 cm)	29.75" (75.6 cm)		14.25" (36.2 cm)	44.88" (114 cm)	18.38" (46.7 cm)	20.25" (51.4 cm)
11' RF & LF Raised	60" (152.4 cm)		60" (152.4 cm)	23.88" (60.7 cm)	52" (132.1 cm)	34.93" (88.7 cm)		15.88" (40.3 cm)	50.38" (127.9 cm)	26.75" (67.9 cm)	54.75" (139.1 cm)	54.75" (139.1 cm)	21.5" (54.6 cm)	50.38" (127.9 cm)	29.75" (75.6 cm)		14.25" (36.2 cm)	44.88" (114 cm)	18.38" (46.7 cm)	20.25" (51.4 cm)
11' RF & LH Raised	60" (152.4 cm)		60" (152.4 cm)	23.88" (60.7 cm)	52" (132.1 cm)	34.93" (88.7 cm)		15.88" (40.3 cm)	50.38" (127.9 cm)	26.75" (67.9 cm)	54.75" (139.1 cm)	54.75" (139.1 cm)	29.5" (74.9 cm)	50.38" (127.9 cm)	29.75" (75.6 cm)		14.25" (36.2 cm)	44.88" (114 cm)	18.38" (46.7 cm)	20.25" (51.4 cm)
11' All Raised	60" (152.4 cm)		60" (152.4 cm)	31.88" (81 cm)	52" (132.1 cm)	34.93" (88.7 cm)		15.88" (40.3 cm)	50.38" (127.9 cm)	26.75" (67.9 cm)	54.75" (139.1 cm)	54.75" (139.1 cm)	29.5" (74.9 cm)	50.38" (127.9 cm)	29.75" (75.6 cm)		14.25" (36.2 cm)	44.88" (114 cm)	18.38" (46.7 cm)	20.25" (51.4 cm)
13' RF Raised	60" (152.4 cm)	60" (152.4 cm)	52" (132.1 cm)	23.88" (60.7 cm)	52" (132.1 cm)	34.93" (88.7 cm)	23.75" (60.3 cm)	15.88" (40.3 cm)	50.38" (127.9 cm)	26.75" (67.9 cm)	46.75" (118.7 cm)	46.75" (118.7 cm)	21.5" (54.6 cm)	46.75" (118.7 cm)	29.75" (75.6 cm)	18.38" (46.7 cm)	14.25" (36.2 cm)	44.88" (114 cm)	18.38" (46.7 cm)	20.25" (51.4 cm)
14 RF & LF Raised	60" (152.4 cm)	60" (152.4 cm)	52" (132.1 cm)	23.88" (60.7 cm)	52" (132.1 cm)	34.93" (88.7 cm)	35.75" (90.8 cm)	15.88" (40.3 cm)	50.38" (127.9 cm)	26.75" (67.9 cm)	54.75" (139.1 cm)	46.75" (118.7 cm)	21.5" (54.6 cm)	46.75" (118.7 cm)	29.75" (75.6 cm)	29.75" (75.6 cm)	14.25" (36.2 cm)	44.88" (114 cm)	18.38" (46.7 cm)	20.25" (51.4 cm)
14 RF & LH Raised	60" (152.4 cm)	60" (152.4 cm)	60" (152.4 cm)	23.88" (60.7 cm)	52" (132.1 cm)	34.93" (88.7 cm)	35.75" (90.8 cm)	15.88" (40.3 cm)	50.38" (127.9 cm)	26.75" (67.9 cm)	54.75" (139.1 cm)	46.75" (118.7 cm)	29.5" (74.9 cm)	46.75" (118.7 cm)	29.75" (75.6 cm)	29.75" (75.6 cm)	14.25" (36.2 cm)	44.88" (114 cm)	18.38" (46.7 cm)	20.25" (51.4 cm)

### Top View



### Side View

