

Detachable

Dump Body



DETACHABLE TRUCK BODY SYSTEM

Optional 15" Cab Shield



Dump Body Specifications

	Standard	Heavy Duty
Floor	1/8"	3/16"
Sides	12ga with 3" x 3" x 1/8" top rail	10ga with 3" x 3" x 1/8" top rail
Crossmembers	3" on 16" centers	3" on 12" centers
Gate	2 way gate with L-shape top hinge for higher dump clearance	2 way gate with L-shape top hinge for higher dump clearance
Bulkhead	39" or 51"	39" or 51"
Front	Sloped front for easy cleanout and easy loading of body	Sloped front for easy cleanout and easy loading of body

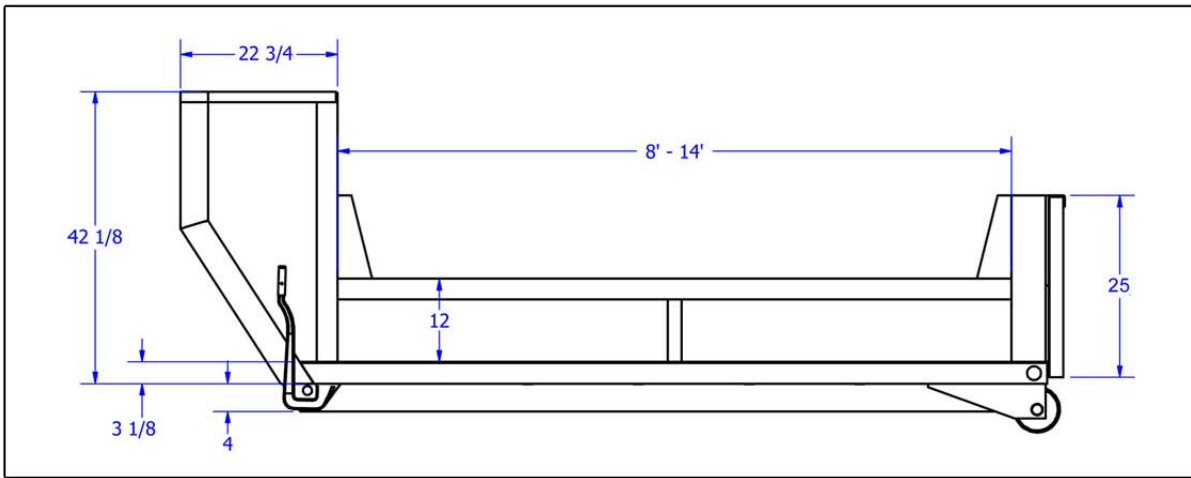
Switch-N-Go™
 3550 Perry Hwy
 Hadley, PA 16130
 888-311-0867
 www.switchngo.com



Distributed by:



A Deist Industries, Inc. Company



- OPTIONS & FEATURES -

Option: HD Barn Door Gate
 Patented combo barn door/dump gate also available.



▲ Scissor hoist achieves a full 50° dump angle

Option: Ramp Beaver Tail ▲

- Items not shown
- Extended Board Pockets
 - 15" Cab Shield (see front)

▼ Option: Sliding coal chute



Option: Fold down contractor sides, held in place by spring loaded pins on each end with standard tailgate.