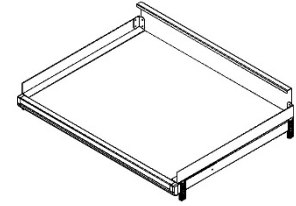


## Rear DuraRac Sliding Work Surface Installation Instructions

Ford Transit Low Roof Full Size Van (129.9" or 147.6" Wheelbase)

Kit Part Number CRC 21-1010-001

Revision 1.0 11/12/14



**STEP 1.** These instructions are based on having a ready-to-install assembled sliding work surface. If not, refer to Dejana drawing number CRC 21-2900-001 for kit assembly instructions.

**STEP 2.** The work surface is to be set at a maximum 38" height. Insert the supplied strut nut assemblies into the strut channel and snug down 1/4"-20 hex bolts with the supplied wrench. Align all (4) strut nut inserts vertically at 38" measured from the floor to the top of the strut insert.

**STEP 3.** Bolt the two slide rail assemblies to the strut nuts. This will require removing the nuts from the forward hole locations so that the screws can pass through both the slide and mount channel. The slide are installed so the work surface will extend out towards the interior of the van (i.e. not out the rear door).

**STEP 3.** Re-check that the slide rails are at the desired height. Finish tightening the 1/4"-20 hex bolts to 80 in-lbs.

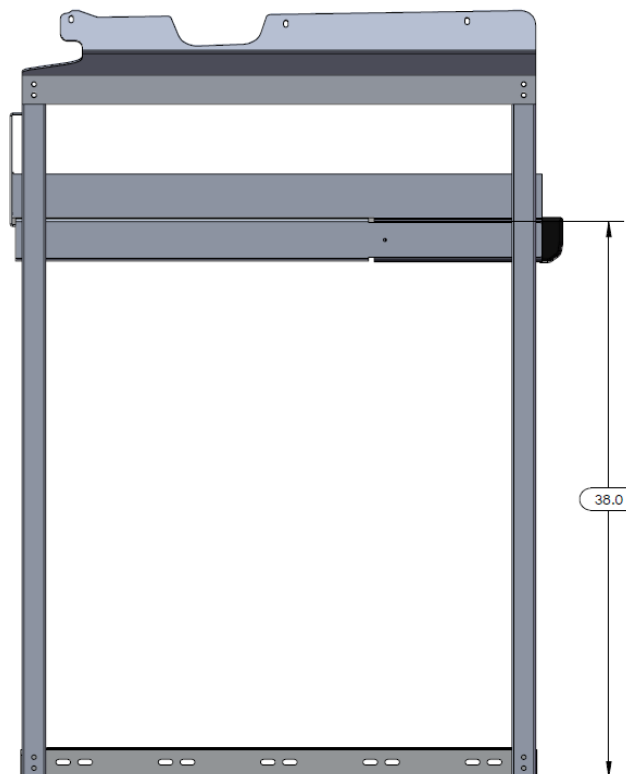


Figure 1: Slide Rail Assembly Height

**STEP 4.** Place the assembled work surface on top of the installed slides. Butt the slide mount angles against the back of the drawer release, and center the assembly. Bolt the work surface to the slide mount angles using the (4) supplied 1/4"-20 gray encapsulated nuts (installed on the upper side) and (4) Phillips pan head screws (installed on the underside).

**STEP 5.** Check for smooth operation and adjust if necessary. The slide mount angles are slotted in both directions in case any final adjustments need to be made. The work surface should slide out 12" into the interior of the van, and lock in both the open & closed positions.

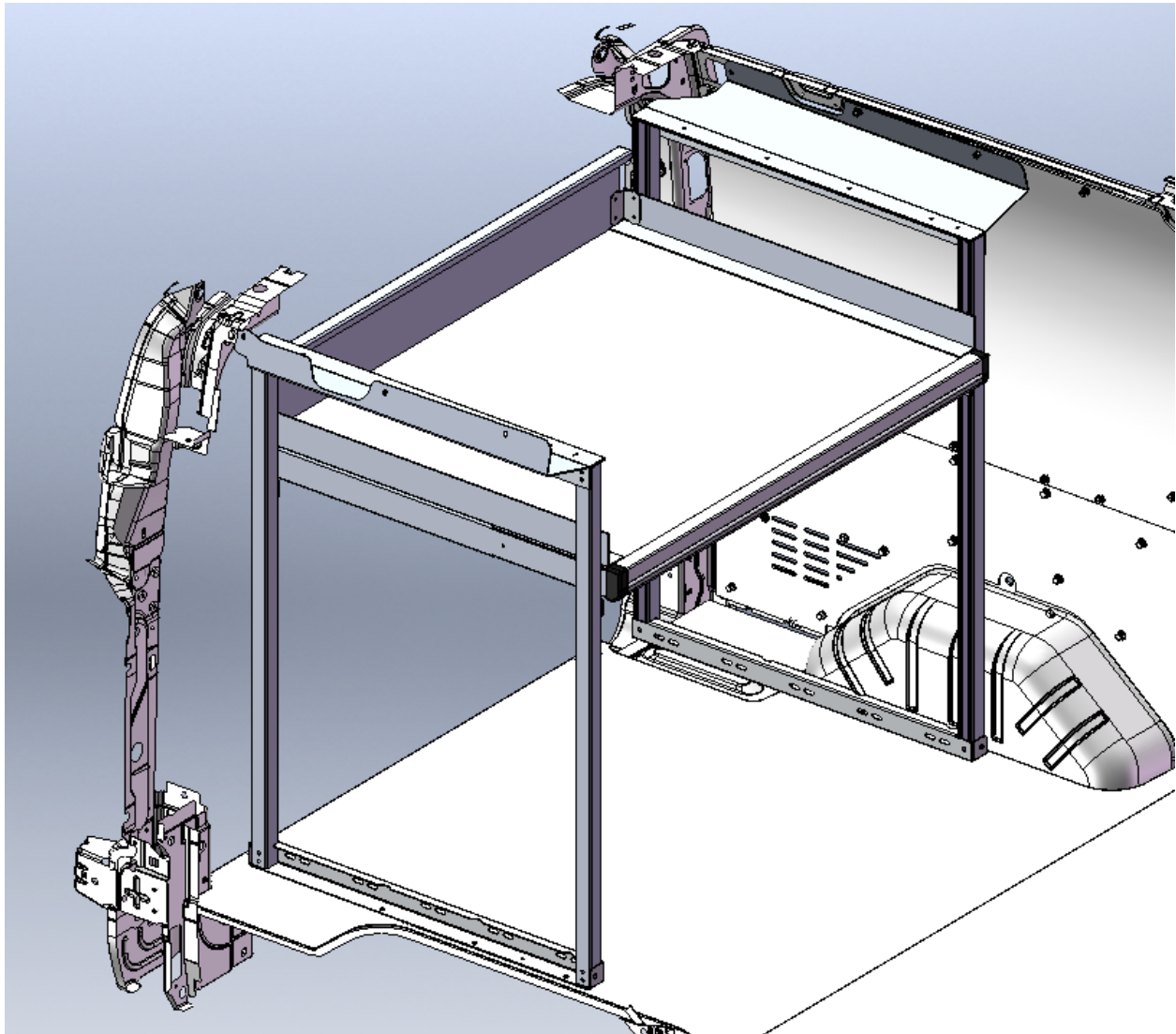


Figure 2: Installed Sliding work Surface (other installed drawers not shown for clarity)