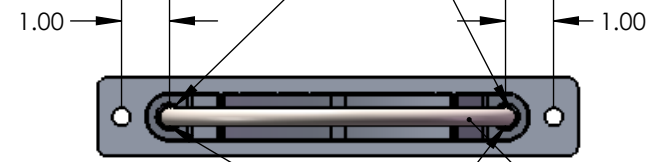


8 7 6 5 4 3 2 1

DTC 1919-015  
(MOUNTING BRACKET)

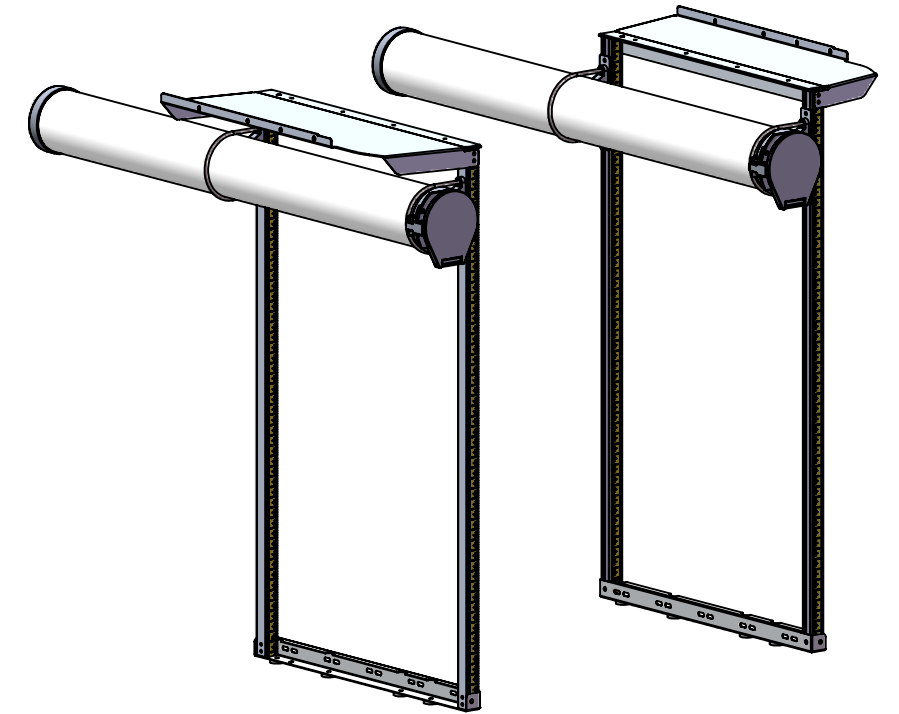


ATTACH SADDLE HOLES 1" CENTER  
DISTANCE FROM SPRING NUT HOLE



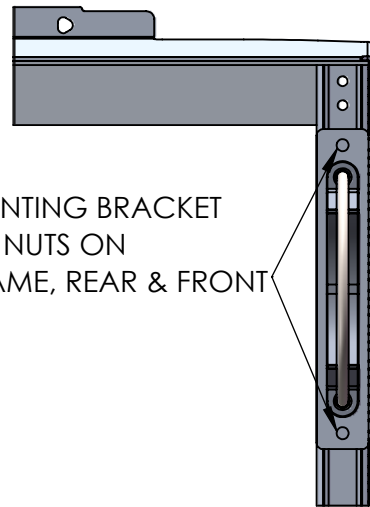
BUY CC600

ATTACH U-BOLT WITH NUTS



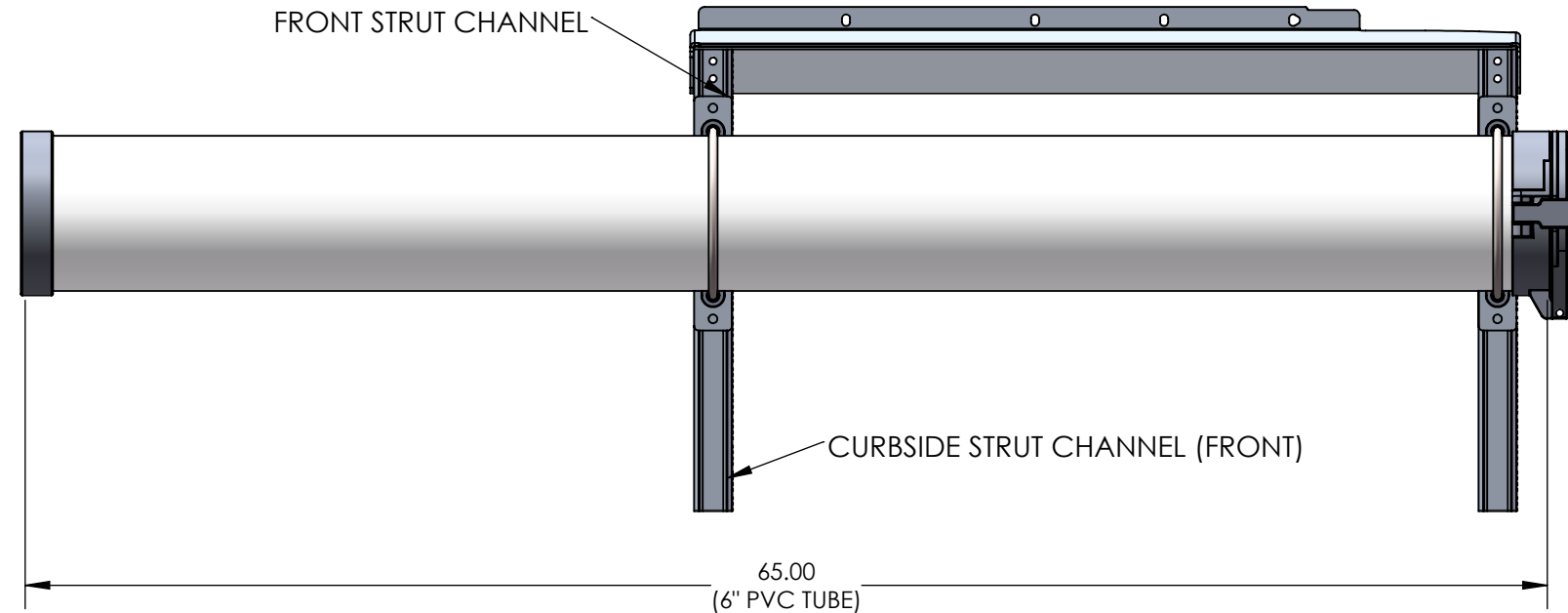
2.125 (ADJUSTABLE)

ATTACH MOUNTING BRACKET  
WITH SPRING NUTS ON  
CURBSIDE FRAME, REAR & FRONT



INSERT PVC TUBE AND  
CAP BOTH ENDS

REPEAT STEPS ABOVE FOR  
FRONT STRUT CHANNEL



CURBSIDE STRUT CHANNEL (FRONT)

65.00  
(6" PVC TUBE)

GENERAL NOTES:

- 1) CURBSIDE TUBE HOLDER ASSEMBLY IS MOUNTED ON INSIDE OF STRUT CHANNEL USING DTC 1919-015 BRACKET AND SPRING NUT.
- 2) ROADSIDE TUBE HOLDER ASSEMBLY IS DIRECTLY MOUNTED ON OUTSIDE USING TUBE HOLDER SADDLE BOLTED TO STRUT CHANNEL.
- 3) DTC 1919-015 BRACKETS AND SPRING NUT GIVE THE FLEXIBILITY OF ADJUSTING THE TUBE HOLDER ASSEMBLY HEIGHT.

**DEJANA**

Cargo & Van Interiors  
6901 Rolling Mill Road  
Rosedale, MD 21224

UNLESS OTHERWISE SPECIFIED:

DRAWING PER ASME Y14.41  
DIMENSIONS ARE IN INCHES  
TOLERANCES:  
FRACTIONAL ±1/64  
∠ : MACH ± 0°30' BEND ±0°30'  
TWO PLACE DECIMAL ±0.03  
THREE PLACE DECIMAL ±0.01

MATERIAL: SEE IND. PARTS

MATERIAL SPEC: N/A

FINISH: N/A

WEIGHT: N/A

FLAT PATTERN AREA: N/A

PART:

PVC TUBE INSTALLATION

USED ON:

REAR DURARAC  
PROMASTER 136" WB

APPROVED

DRAWN BY: ASA

CHECKED BY: -

ENGINEERING APPROVAL: -

RELEASED BY: -

DATE

06/04/2015

-

-

-

THIS DRAWING AND ANY INFORMATION CONTAINED HEREIN MAY NOT BE USED OR COPIED WITHOUT THE WRITTEN CONSENT OF DEJANA TRUCK & UTILITY EQUIPMENT COMPANIES

PROJECT: -

SCALE: NONE SHEET 1 OF 2

DWG. NO: -

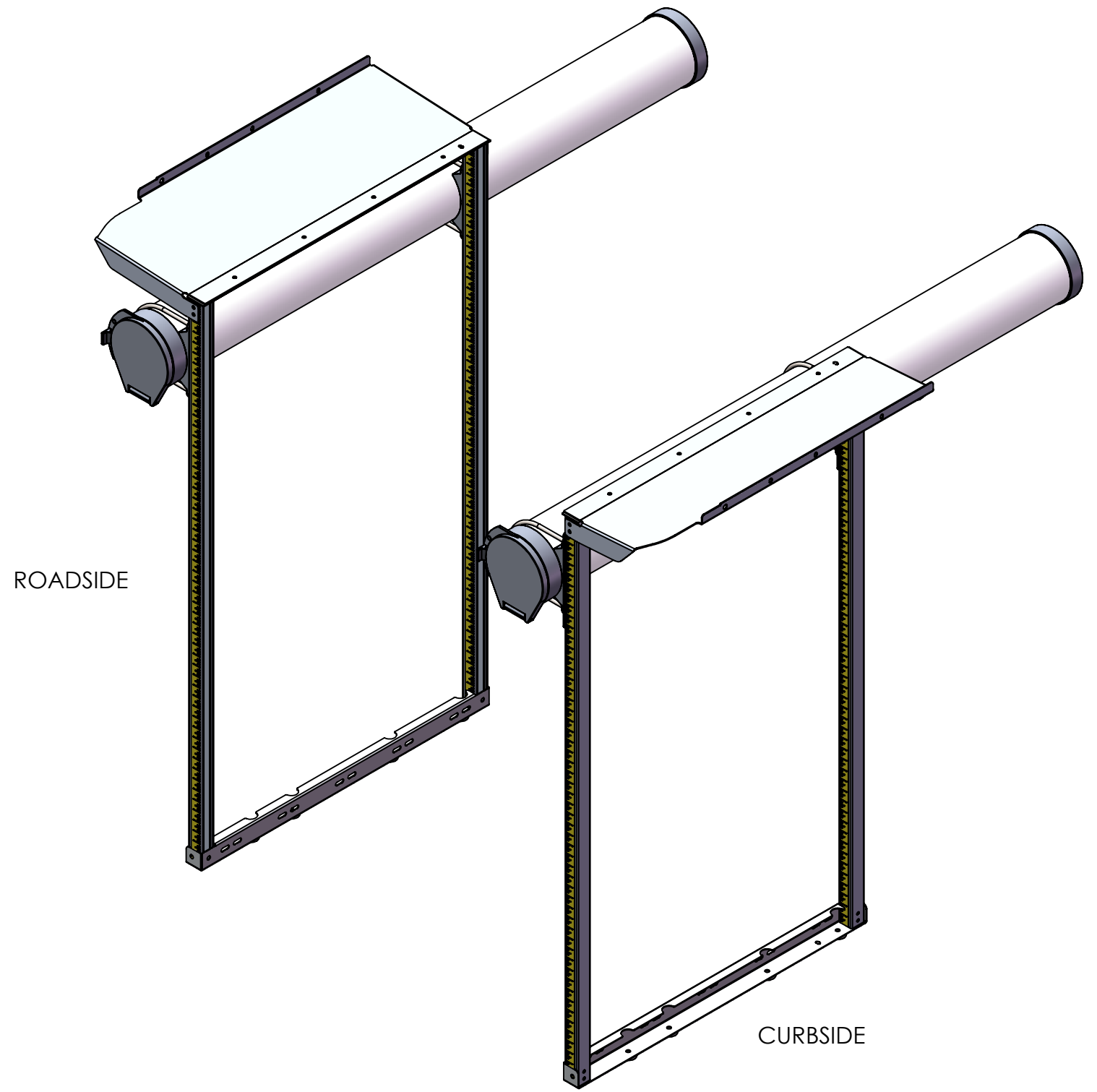
REV: **A**

8 7 6 5 4 3 2 1

8 7 6 5 4 3 2 1


D  
C  
B  
A

D  
C  
B  
A



ROADSIDE

CURBSIDE

 <b>DEJANA</b> Cargo & Van Interiors 6901 Rolling Mill Road Rosedale, MD 21224	<b>UNLESS OTHERWISE SPECIFIED:</b>		MATERIAL: SEE IND. PARTS	PART: <b>PVC TUBE INSTALLATION</b>	APPROVED	DATE	THIS DRAWING AND ANY INFORMATION CONTAINED HEREIN MAY NOT BE USED OR COPIED WITHOUT THE WRITTEN CONSENT OF DEJANA TRUCK & UTILITY EQUIPMENT COMPANIES.	
	DRAWING PER ASME Y14.41 DIMENSIONS ARE IN INCHES		MATERIAL SPEC: N/A		USED ON: <b>REAR DURARAC PROMASTER 136" WB</b>	DRAWN BY: ASA	06/04/2015	PROJECT: -
	TOLERANCES: FRACTIONAL ± 1/64		FINISH: N/A	ENGINEERING APPROVAL: -		-	SCALE: NONE	SHEET 2 OF 2
	∠ : MACH ± 0°30' BEND ± 0°30'		WEIGHT: N/A	RELEASED BY: -	-	DWG. NO:	REV: <b>A</b>	
	TWO PLACE DECIMAL ± 0.03 THREE PLACE DECIMAL ± 0.01		FLAT PATTERN AREA: N/A	-	-	-	-	

8 7 6 5 4 3 2 1